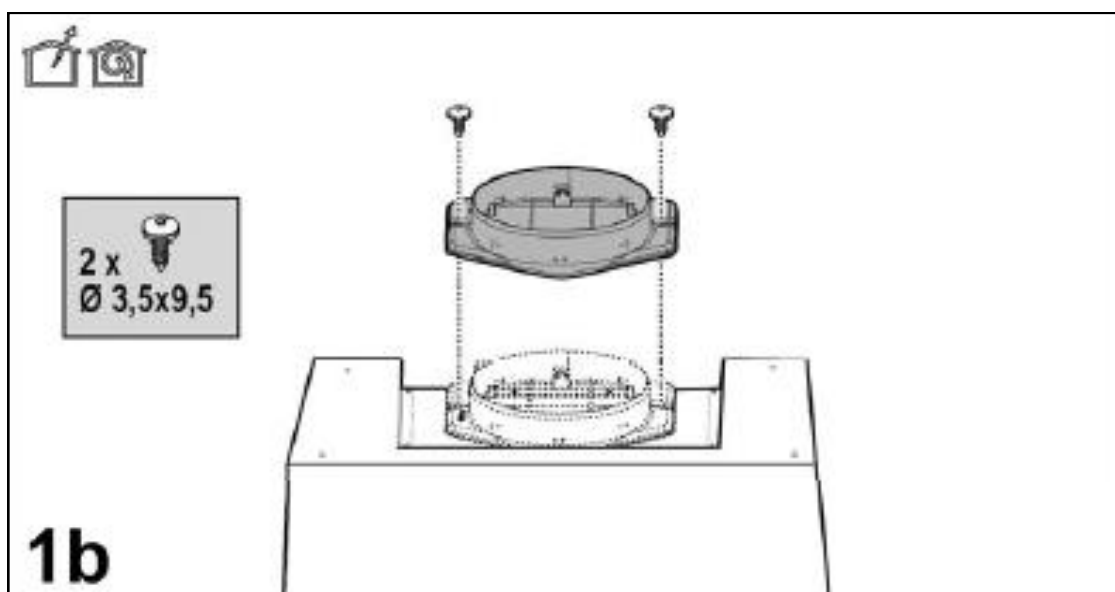
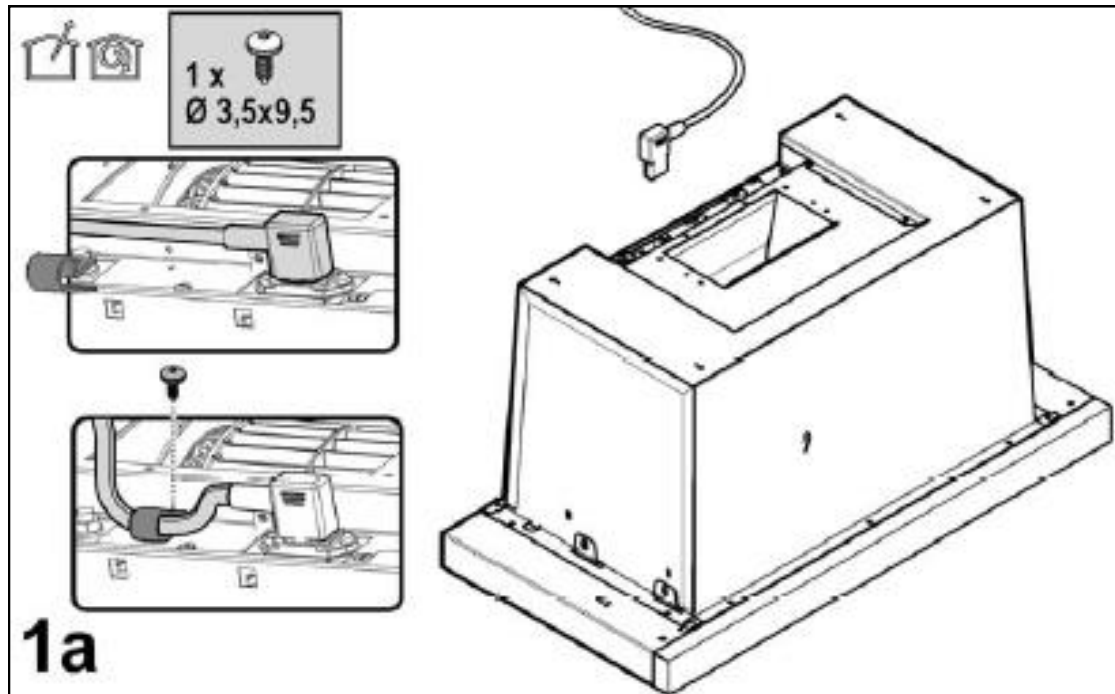
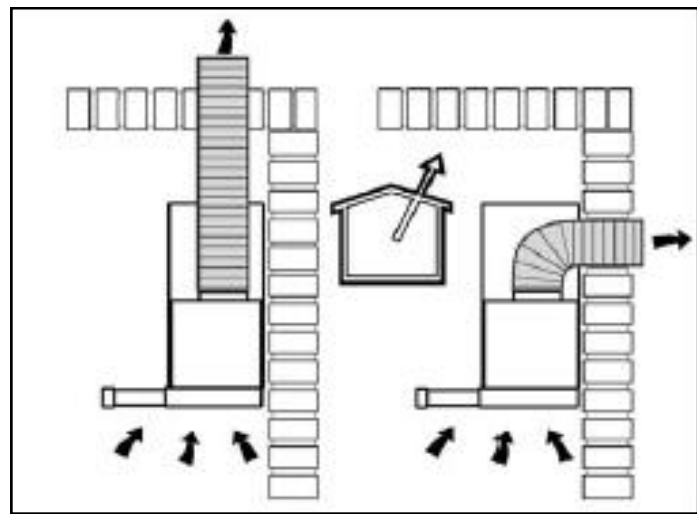
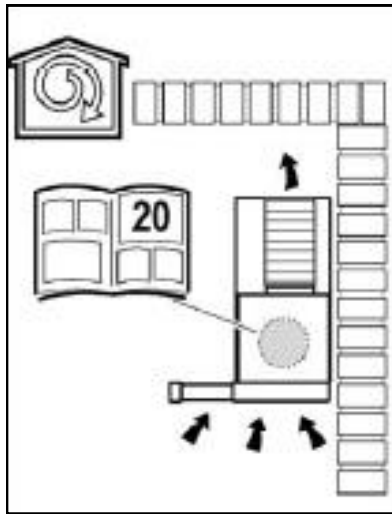


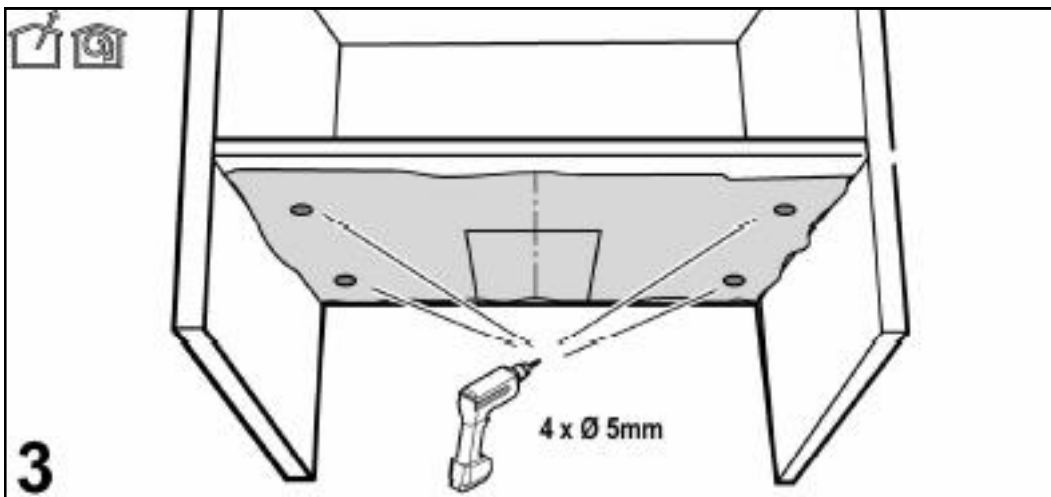
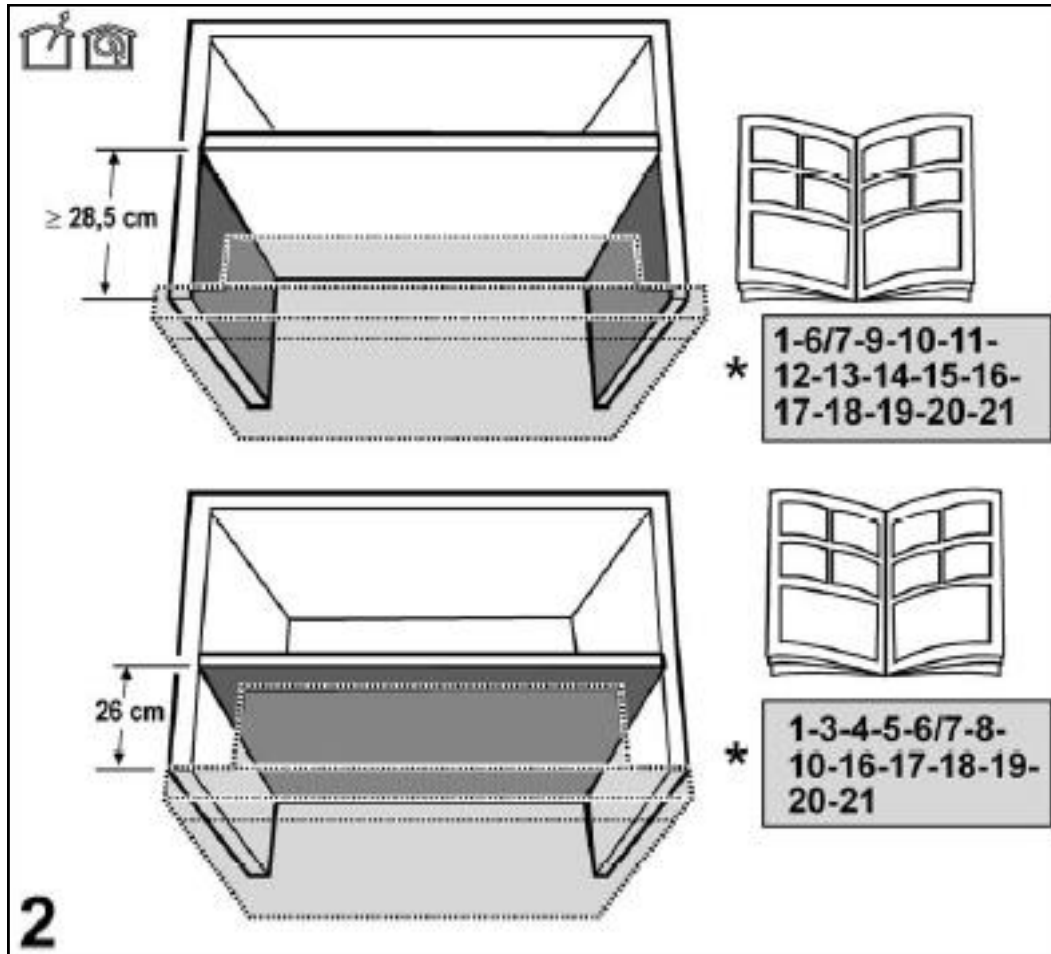
Mia Cucina

KITCHENS BY TOWNGAS

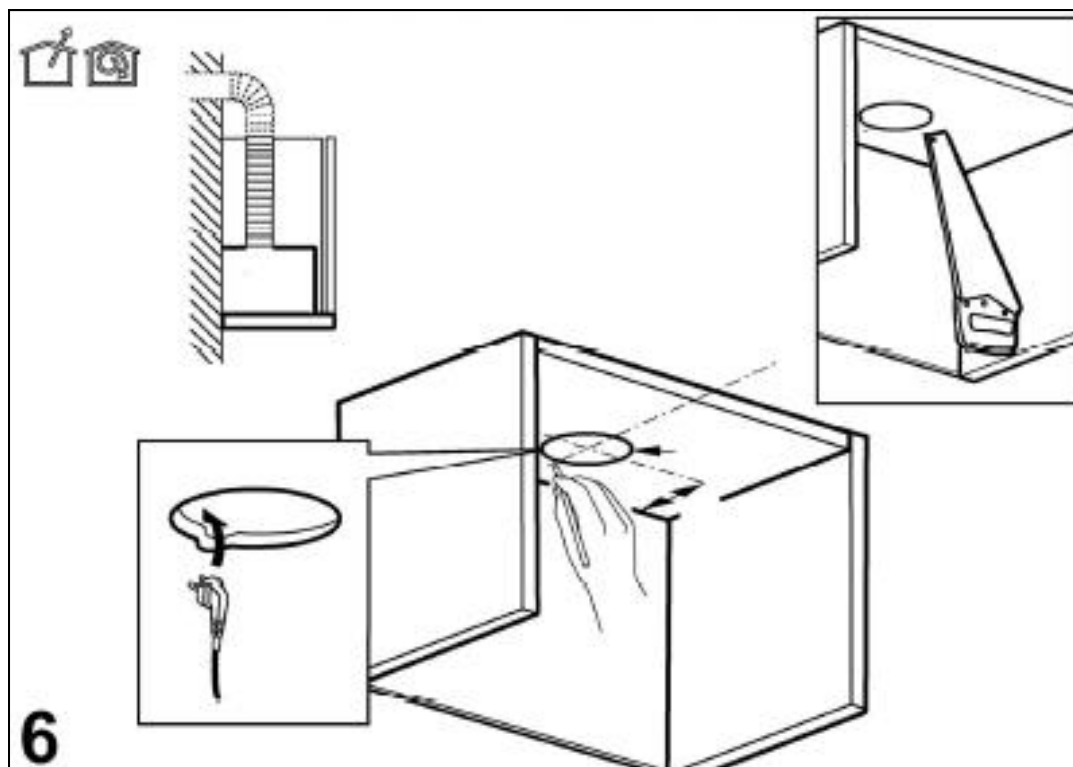
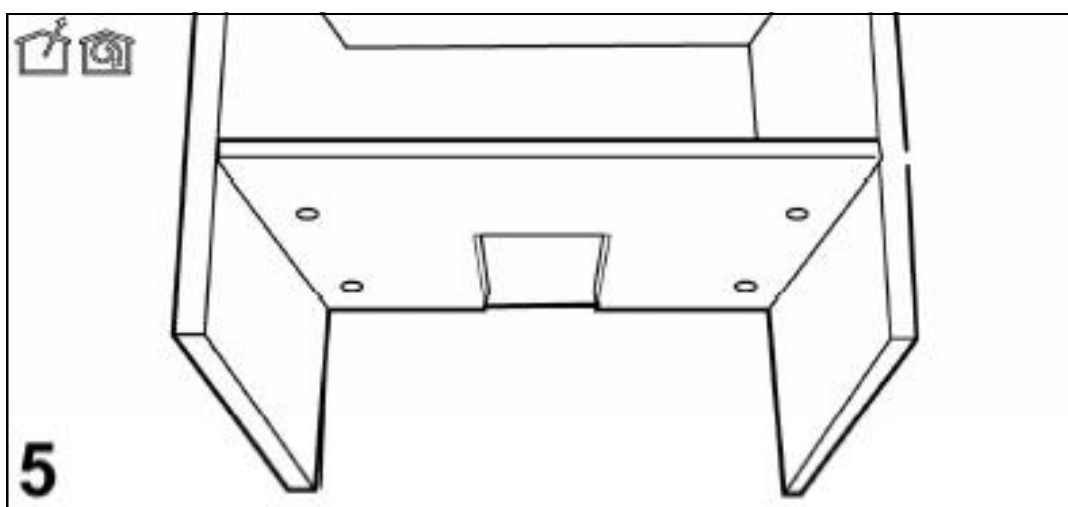
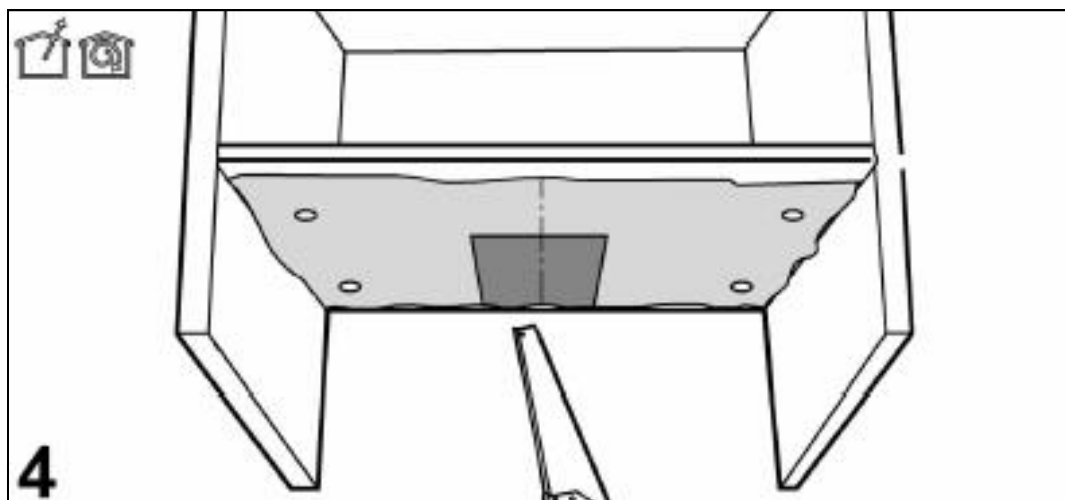
Installation 安裝



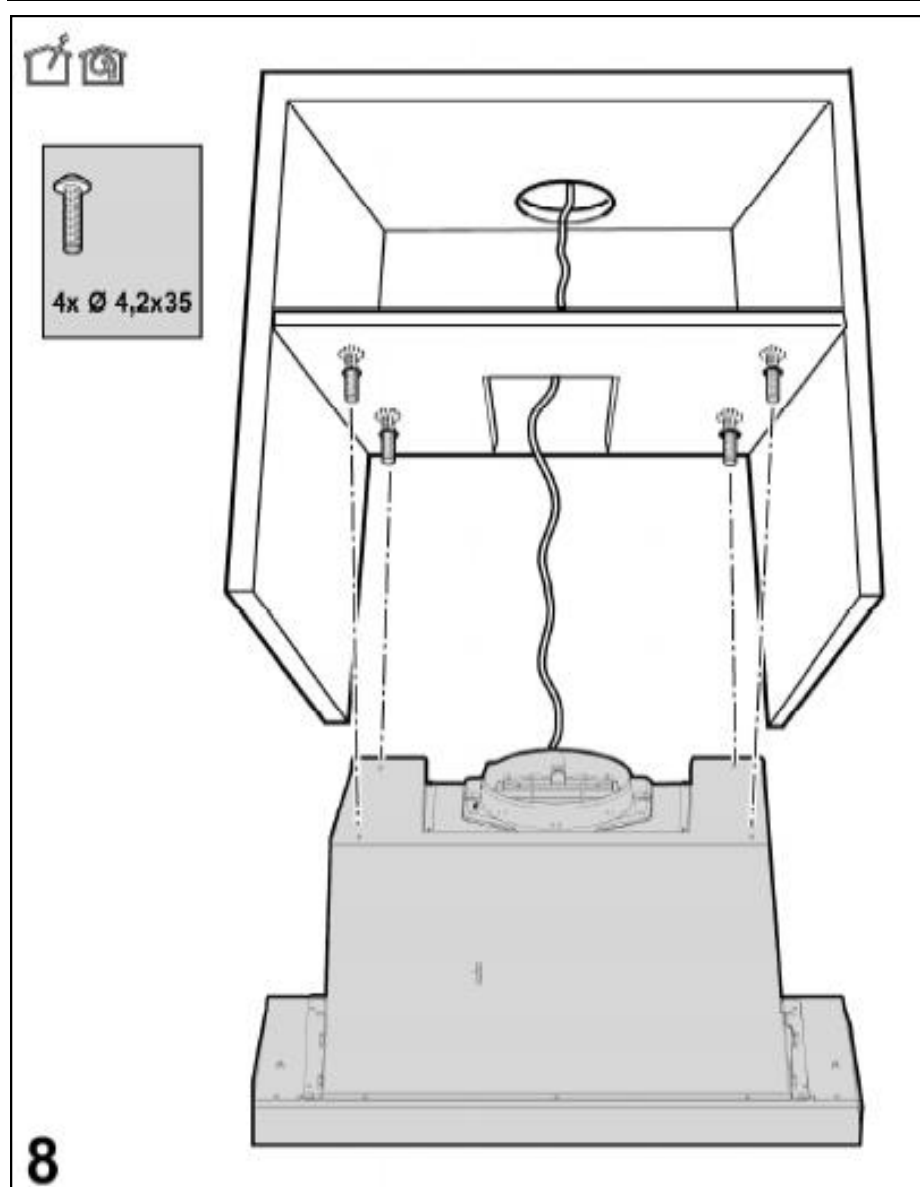
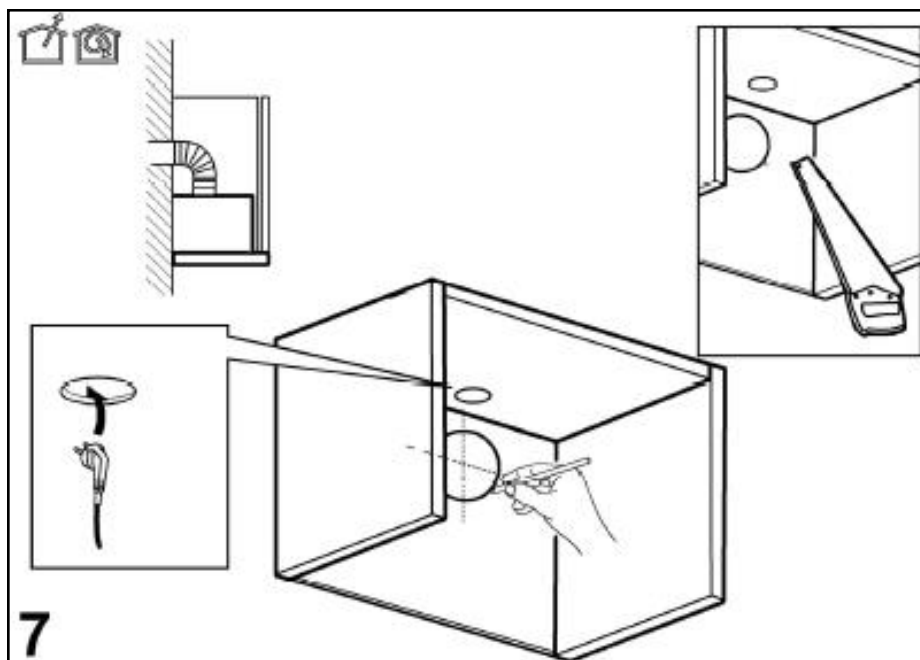
Installation 安裝



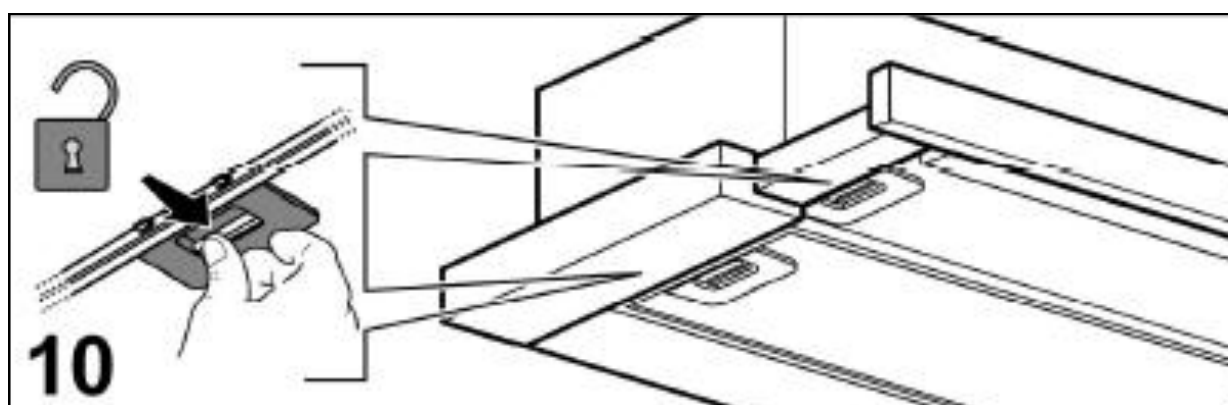
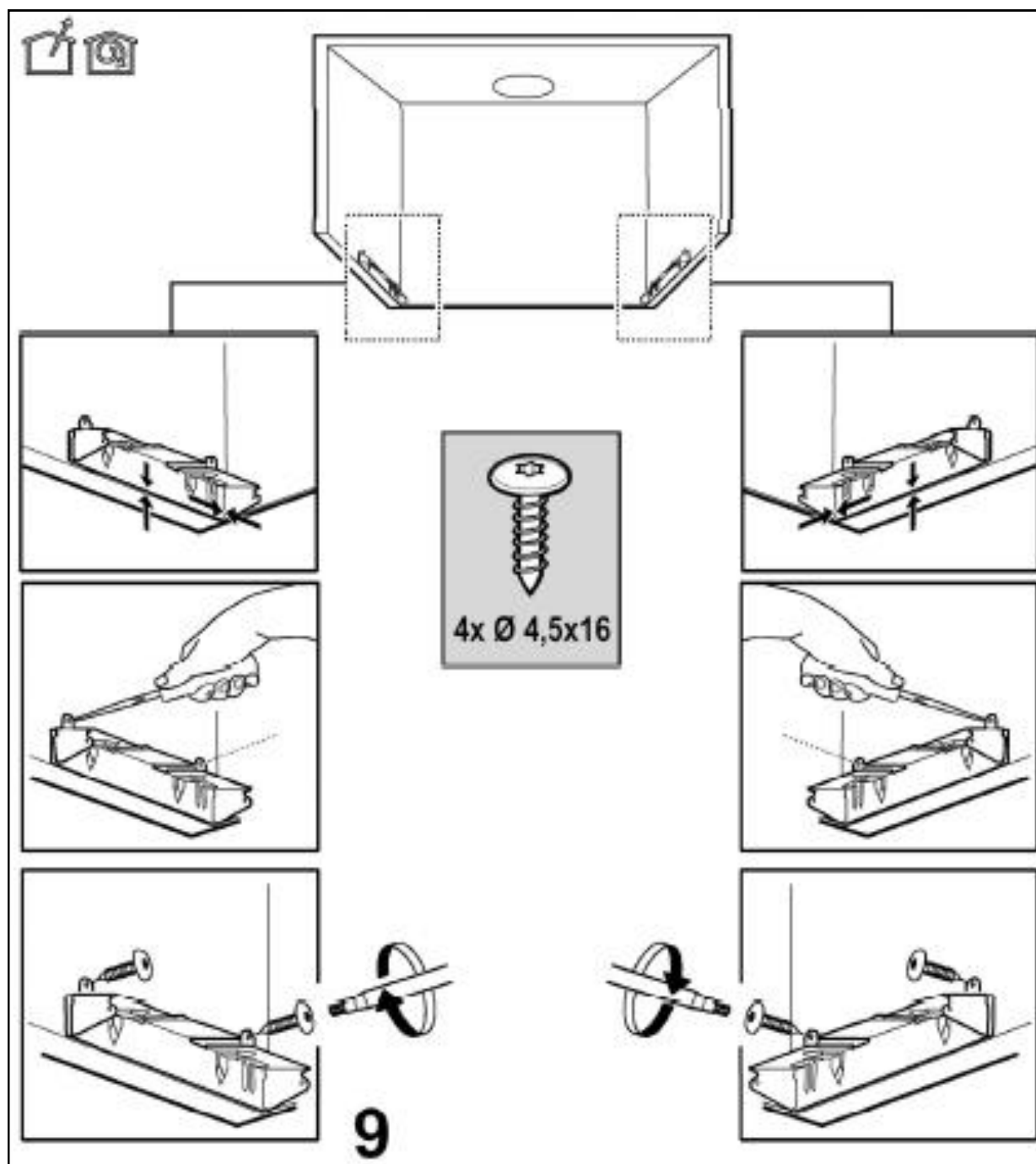
Installation 安裝



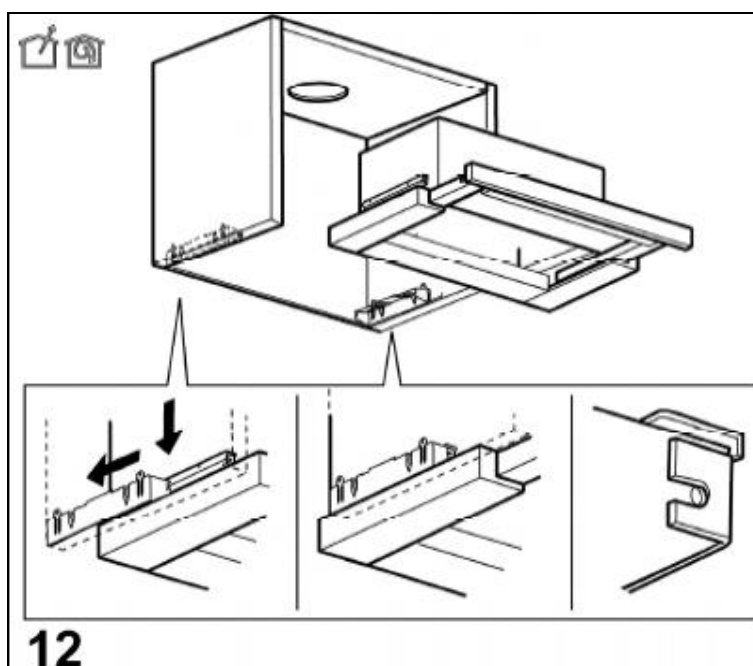
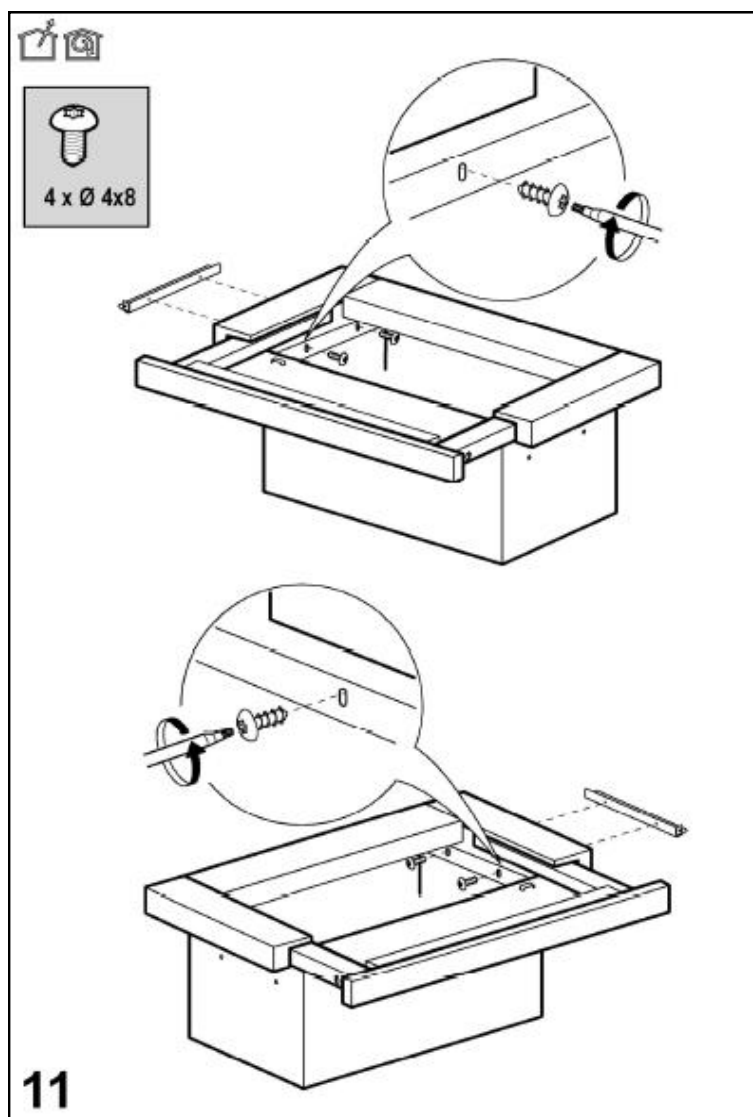
Installation 安裝

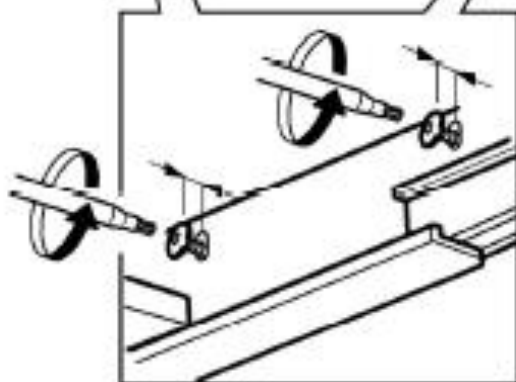
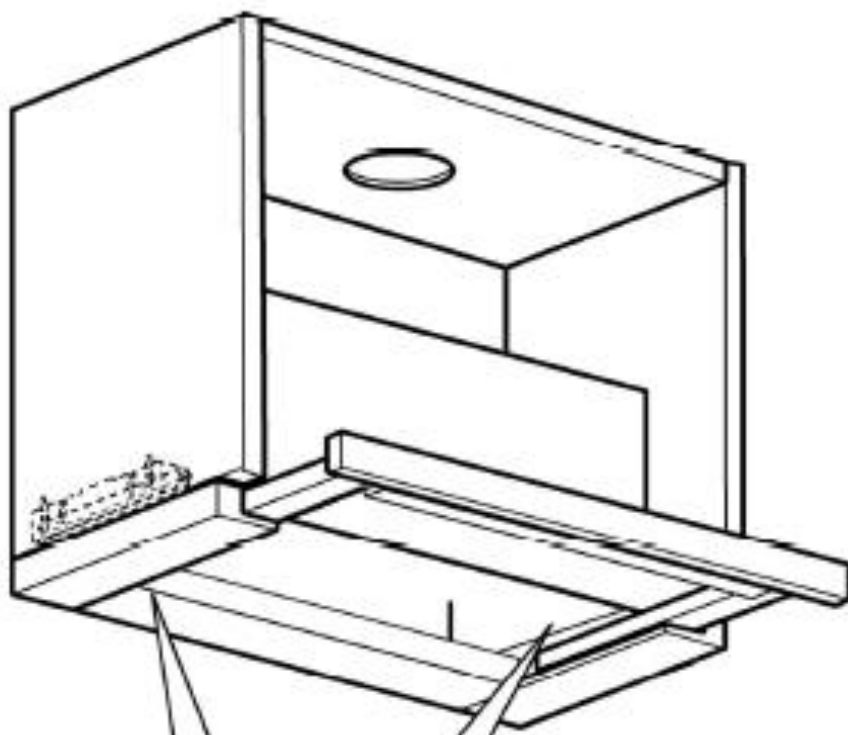
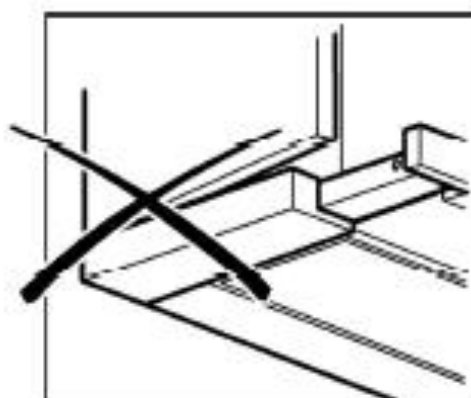
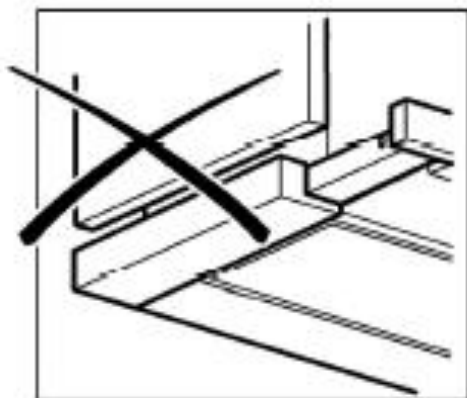


Installation 安裝



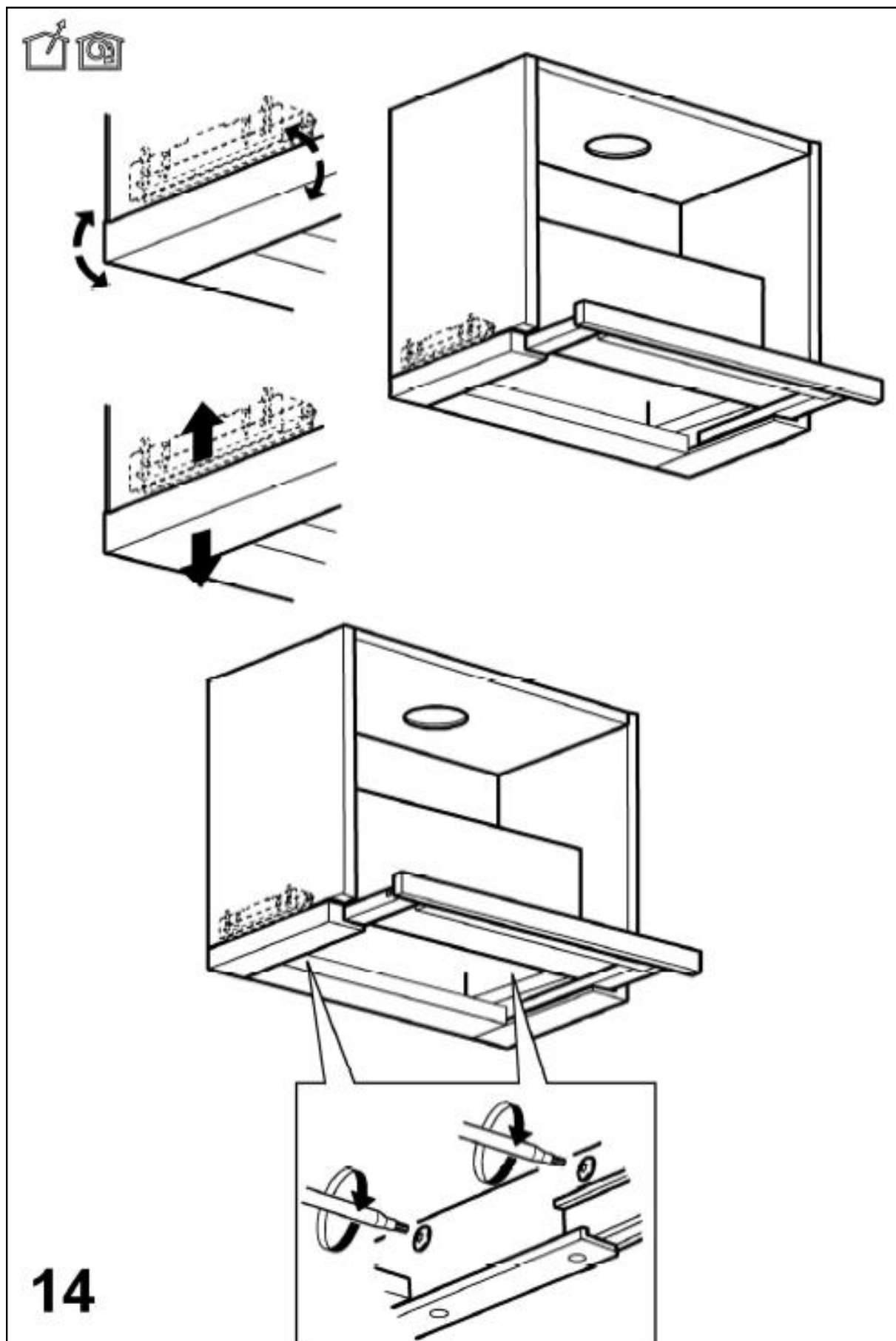
Installation 安裝



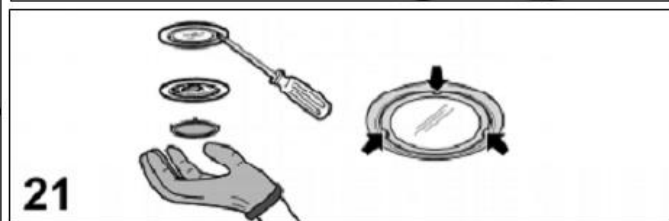
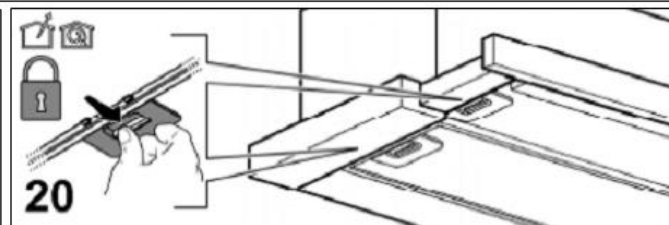
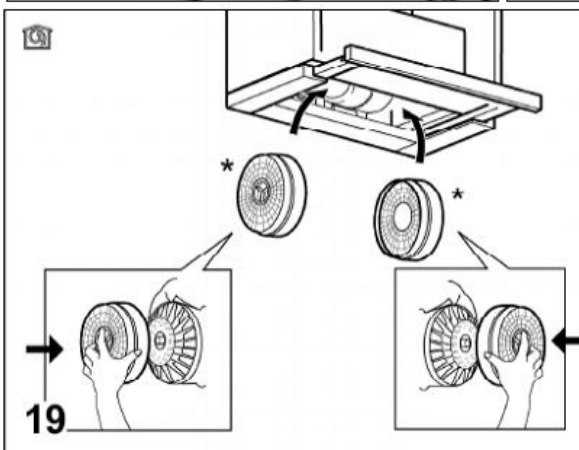
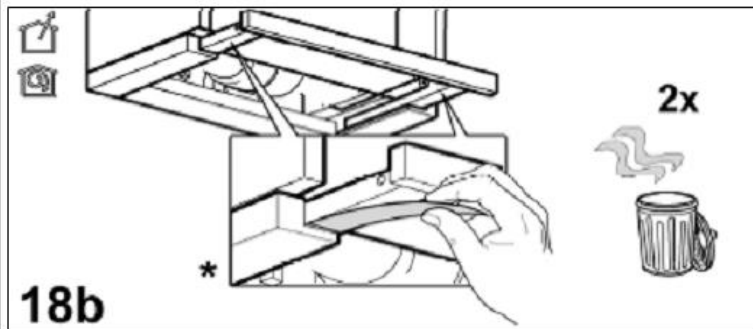
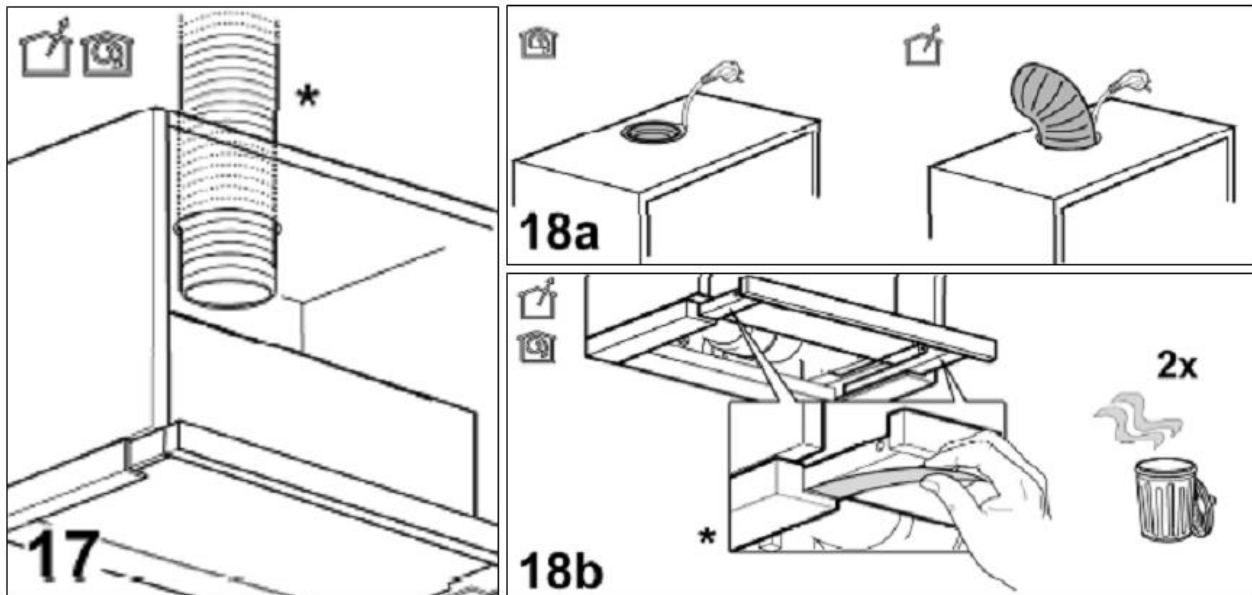
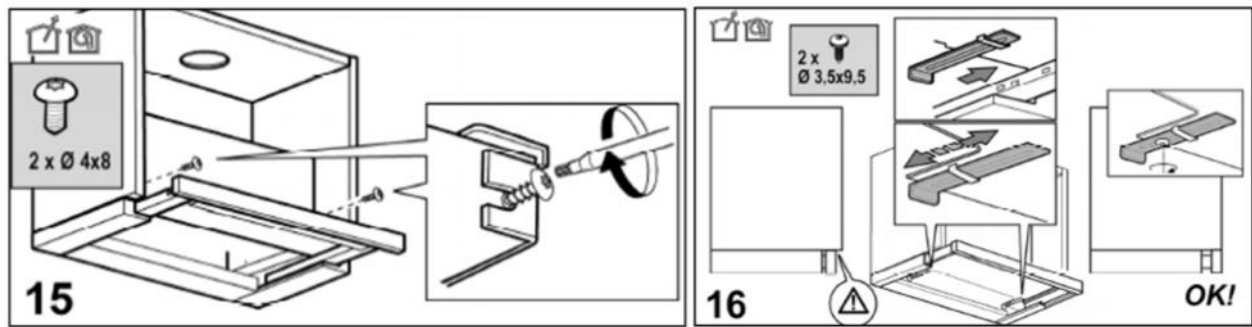


13

Installation 安裝



Installation 安裝



User Manual

Built-in Range Hood MY60 / MY90

Dear Customer

Thank you for choosing Mia Cucina products. These meticulously designed products, manufactured with the highest quality materials, have been carefully tested to satisfy your needs. Please read and follow the following instructions that ensure correct operation and optimal performance.

Contents

Important Instructions	P. 1
Installation Instructions	P. 2
Operating Instructions	P. 3
Maintenance	P. 4

Attentions:

- Use only the fixing screws supplied with the product for installation.
- Use the correct length screws which are identified in the Installation Guide.

Warning: Failure to install the screws or fixing device in accordance with these instructions may result in electrical hazards.



Importance Instructions

Attention: Closely follow the instructions set out in this manual.

All responsibility, for any eventual inconveniences, damages or fires caused by not complying with the instructions in this manual, is declined. The hood is conceived for the suction of cooking fumes and steam and is destined only for domestic use.

- ! It is important to conserve this booklet for consultation at any moment. In the case of sale, cession or move, make sure it is together with the product.
- ! Read the instructions carefully: there is important information about installation, use and safety.
- ! Do not carry out electrical or mechanical variations on the product or on the discharge conduits.
- ! Before proceeding with the installation of the appliance, verify that there are no damaged components. Otherwise contact your dealer and do not proceed with the installation.

Note: the elements marked with the symbol “(*)” are optional accessories supplied only with some models or elements to purchase, not supplied.

Caution

Warning: Do not connect the appliance to the mains until the installation is fully complete.

- Before any cleaning or maintenance operation, disconnect hood from the mains by removing the plug or disconnecting the mains electrical supply.
- Always wear work gloves for all installation and maintenance operations.
- The appliance is not intended for use by children or persons with impaired physical, sensorial or mental faculties, or if lacking in experience or knowledge, unless they are under supervision or have been trained in the use of the appliance by a person responsible for their safety.
- This appliance is designed to be operated by adults, children should be monitored to ensure that they do not play with the appliance.
- This appliance is designed to be operated by adults. Children should not be allowed to tamper with the controls or play with the appliance.
- Never use the hood without effectively mounted grating!
- The hood must NEVER be used as a support surface unless specifically indicated.
- The premises where the appliance is installed must be sufficiently ventilated, when the kitchen hood is used together with other gas combustion devices or other fuels.
- The ducting system for this appliance must not be connected to any existing ventilation system

which is being used for any other purpose such as discharging exhaust fumes from appliances burning gas or other fuels.

- The flaming of foods beneath the hood itself is severely prohibited.
- The use of exposed flames is detrimental to the filters and may cause a fire risk, and must therefore be avoided in all circumstances.
- Any frying must be done with care in order to make sure that the oil does not overheat and ignite.
- Accessible parts of the hood may become hot when used with cooking appliance.
- With regards to the technical and safety measures to be adopted for fume discharging it is important to closely follow the regulations provided by the local authorities.
- The hood must be regularly cleaned on both the inside and outside (AT LEAST ONCE A MONTH).
- This must be completed in accordance with the maintenance instructions provided in this manual). Failure to follow the instructions provided in this user guide regarding the cleaning of the hood and filters will lead to the risk of fires.
- Do not use or leave the hood without the lamp correctly mounted due to the possible risk of electric shocks.
- We will not accept any responsibility for any faults, damage or fires caused to the appliance as a result of the nonobservance of the instructions included in this manual.

Disposal

- This appliance is marked according to the European directive 2002/96/EC on Waste Electrical and Electronic Equipment (WEEE). By ensuring this product is disposed of correctly, you will help prevent potential negative consequences for the environment and human health, which could otherwise be caused by inappropriate waste handling of this product.
- The symbol on the product, or on the documents accompanying the product, indicates that this appliance may not be treated as household waste. Instead it should be taken to the appropriate collection point for the recycling of electrical and electronic equipment. Disposal must be carried out in accordance with local environmental regulations for waste disposal.
- For further detailed information regarding the process, collection and recycling of this product, please contact the appropriate department of your local authorities or the local department for household waste or the shop where you purchased this product.



Installation Instructions

Positioning

The minimum distance between the supporting surface for the cooking equipment on the hob and the lowest part of the range hood must be not less than 50cm from electric cookers and 65cm from gas or mixed cookers.

If instructions for installation of gas hob specify a greater distance, this must be adhered to.

Electrical Connection

The mains power supply must correspond to the rating indicated on the plate situated inside the hood. If provided with a plug connect the hood to a socket in compliance with current regulations and positioned in an accessible area, after installation. If it not fitted with a plug (direct mains connection) or if the plug is not located in an accessible area, after installation, apply a double pole switch in accordance with standards which assures the complete disconnection of the mains under conditions relating to over-current category III, in accordance with installation instructions.

Warning:

- **Before re-connecting the hood circuit to the mains supply and checking the efficient function, always check that the mains cable is correctly assembled.**
- **The hood is provided with a special power cable . If the cable is damaged, request a new one from Customer Service.**

Mounting

Before beginning installation:

- Check that the product purchased is of a suitable size for the chosen installation area.
- Remove the charcoal (*) filter/s if supplied (see also relative paragraph) This/these is/are to be mounted only if you want to use the hood in the filtering version.
- Check (for transport reason) that there is no other supplied material inside the hood (e.g. packets with screws (*), guarantees (*), etc.), eventually removing them and keeping them.
- If possible, disconnect and move the free-standing or slide-in range from cabinet opening to provide easier access to rear wall/ceiling. Otherwise put a thick protective covering over countertop,

cooktop or range to protect from damage and debris. Select a flat surface for assembling the unit. Cover that surface with a protective covering and place canopy hood parts and hardware in it.

- In addition check whether near the installation area of the hood (in the area accessible also with the hood mounted) an electric socket is available and it is possible to connect a fumes discharge device to the outside (only suction version).
- Carry out all the masonry work necessary (e.g. installation of an electric socket and/or a hole for the passage of the discharge tube).

This hood is designed for fitting in a cabinet or on some other support.

Use

The hood is supplied to be used for ducting installation. Filter version is optional (carbon filter not provided , to be purchased separately).



Ducting version

In this case the fumes are conveyed outside of the building by means of a special pipe connected with the connection ring located on top of the hood. Diameter of the exhausting pipe must be equal to that of the connection ring.

In the horizontal runs the exhausting pipe must be slightly slanted (about 10°) and directed upwards to vent the air easily from the room to the outside.

- ! Use a duct of the minimum indispensable length.
- ! Use a duct with as few elbows as possible (maximum elbow angle: 90°).
- ! Avoid drastic changes in the duct cross-section.
- ! Use a duct as smooth as possible inside.
- ! The duct must be made of certified material.

Attention:

- **The exhausting pipe is not supplied and must be purchased apart.**
- **If the hood is supplied with active charcoal filter, then it must be removed.**

Installation & Operating Instructions



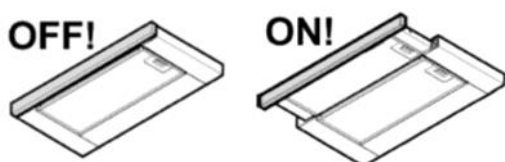
Filter version

One active charcoal filter is needed for this and can be obtained from your usual retailer. The filter removes the grease and smells from the extracted air before sending it back into the room through the upper outlet grid.

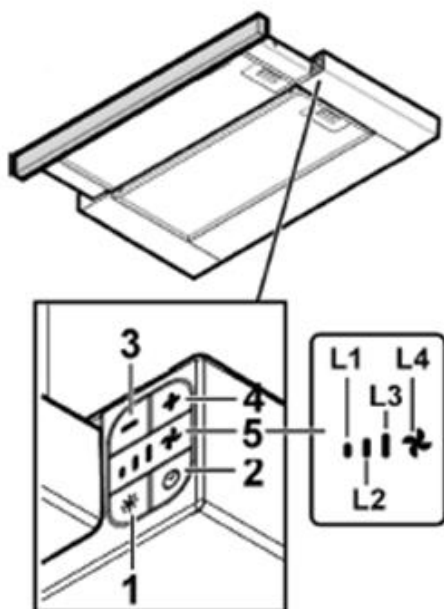
Attention: If the hood is not supplied with carbon filter, then it must be ordered and mounted.

Operations

The hood is fitted with a control panel with aspiration speed selection control and a light switch to control cooking area lights.



Control Panel



1 Button ON/OFF light

2 Button ON/OFF Timer:

Delayed switch-off of the selected suction speed (power):

Suction speed (power) 1: 20 minutes

Suction speed (power) 2: 15 minutes

Suction speed (power) 3: 10 minutes

Intensive suction speed (power): 5 minutes

3 Button OFF / Decrease of suction speed (power)

4 Button ON / Increase of suction speed (power)

5 Display, showing:

- Suction speed (power): LEDs L1 – L2 – L3 - L4 (flashing) light up according to the selected suction speed (power).

Note: the L4 LED – intensive suction speed (power) works for about 5 minutes, then the hood sets the intermediate speed.

- Timer: the LED of the selected speed flashes to indicate that the timer is active.
- Grease filter saturation: the L3 and L4 LEDs flash alternately at short intervals of time.
- Activated charcoal filter saturation: the L3 and L4 LEDs flash simultaneously at short intervals of time.

Reset of the filter saturation indicator

Perform filter maintenance, then press button 2 until the LEDs turn off.

Note: The activated charcoal filter saturation is normally disabled and is enabled only if the hood is used in the filtering version (with charcoal filter installed).

In order to activate it, proceed as follows:

1. Switch off the hood
2. Keep pressed simultaneously Button 3 and Button 4, until the LEDs L1 and L2 flash briefly.

Repeat the operation to disable; only LED L1 flashes briefly.

Use high suction speed in cases of concentrated kitchen vapours. It is recommended that the cooker hood suction is switched on for 5 minutes prior to cooking and to leave in operation during cooking and for another 15 minutes approximately after terminating cooking.

Maintenance

Attention:

- **Before performing any maintenance operation, isolate the hood from the electrical supply by switching off at the connector and removing the connector fuse.**
- **Or if the appliance has been connected through a plug and socket, then the plug must be removed from the socket.**

Cleaning

The cooker hood should be cleaned regularly (at least with the same frequency with which you carry out maintenance of the fat filters) internally and externally. Clean using the cloth dampened with neutral liquid detergent. Do not use abrasive products. **DO NOT USE ALCOHOL!**

Warning: Failure to carry out the basic cleaning recommendations of the cooker hood and replacement of the filters may cause fire risks.

Therefore, we recommend observing these instructions. The manufacturer declines all responsibility for any damage to the motor or any fire damage linked to inappropriate maintenance or failure to observe the above safety recommendations.

Grease Filter (Fig.10-20)

Traps cooking grease particles.

The grease filter must be cleaned once a month using non aggressive detergents, either by hand or in the dishwasher, which must be set to a low temperature and a short cycle. When washed in a dishwasher, the grease filter may discolour slightly, but this does not affect its filtering capacity.

To remove the grease filter, pull the spring release handle.

Charcoal Filter (Filter version only, Fig.19)

It absorbs unpleasant odours caused by cooking. The saturation of the charcoal filter occurs after more or less prolonged use, depending on the type of cooking and the regularity of cleaning of the grease filter.

In any case it is necessary to replace the cartridge at least every four months. The charcoal filter may NOT be washed or regenerated.

To install charcoal filter:

1. Remove the grease filters
2. Apply one charcoal filter each side and hook it onto the hood.
3. Refit the grease filter.

Replacing Lamps

Disconnect the hood from the electricity before replacement of lamps.

The hood is equipped with a lighting system based on LED technology. The LEDs guarantee an optimum lighting, a duration up to 10 times as long as the traditional lamps and allow to save 90% electric energy.

For replacement, contact the technical service.

使用說明書

嵌入式油煙機

MY60 / MY90

尊敬的客戶

多謝選用 Mia Cucina 的產品，本產品經精心設計，採用優質材料生產以及通過嚴謹測試，定能滿足您的需要。為確保產品正確使用及維持最佳效能，請細閱及遵循以下說明。

目錄

重要指示	第 1 頁
安裝說明	第 2 頁
操作指示	第 3 頁
保養	第 4 頁

注意：

- 使用隨產品內所提供的螺絲裝配抽油煙機。
- 依說明指示使用合適長度螺絲。

警告！如未有按指示安裝螺絲及配件或會引致觸電意外。



重要指示

注意：務請恪守本說明書所載的指示。

本公司不會因不當使用所造成的不便、損毀或火警負上任何責任。本抽油煙機只適合家居使用，供吸排煮食時所產生的油煙及水氣。本說明書內的圖片旨在說明如何使用本產品，因此或與實物有異，但不影響有關安裝、使用和保養的指示。

- ! 妥善保存本手冊以便日後作參考。在出售或轉移安裝時，請確保手冊與產品在一起。
- ! 請仔細閱讀說明：其中有關於安裝、使用和安全的重要資訊。
- ! 請勿對本產品的電氣和排氣管道作出改動。
- ! 安裝前請檢查產品，如有缺損，切勿安裝及與銷售商聯絡。

注：標有(*)的配件，均須另外購買，這些配件只適合於指定型號。

警告事項

警告：請勿在安裝完成前將本機連接到電源上。

- 在進行任何清潔或保養工作前，必須拔除插頭或切斷電源。
- 進行安裝和保養工作時，請佩戴工作手套。
- 本機不適宜由兒童、殘障、智障或缺乏相關經驗和知識的人士使用，除非在一名負責他們安全的人員的監督下或培訓下使用。
- 本油煙機乃設計予成人使用，切勿任由兒童把玩或觸碰控制部份。
- 格柵在未妥當安裝前，切勿使用油煙機。
- 除特別說明，切勿將油煙機作支承用途。
- 當油煙機與其他燃氣爐具或設備一起使用時，必須確保場所通風良好。
- 不可將本油煙機與其他燃氣裝置共用排煙管道。
- 切勿在油煙機下採用以烈酒燃點食物的烹調方法。
- 避免讓火焰觸及油煙機，以免損壞濾網及釀成火警。
- 由於食油在高熱下會有搶火現象，在進行油炸時

應小心，避免油溫過熱。

- 當煮食時，油煙機的可接觸的表面會較熱。
- 排放油煙時，請遵守當地有關的技術及安全條例的規定。
- 應經常清潔油煙機內外（每月至少清潔一次）。
- 如未有按指示清潔油煙機及濾油網，或會釀成火警。因此，務請恪守該等指引。
- 如未確定燈泡已經安裝妥當，請不要使用油煙機，以免發生觸電危險。
- 請恪守本說明書所載的指示，否則我們不會對所造成的故障、損壞或火警負上任何責任。

棄置

- 本產品受規範於歐盟所制訂的廢棄電子電機設備指引 (European directive 2002/96/EC on Waste Electrical and Electronic Equipment, 簡稱WEEE)，用戶正確處理棄置本產品，可避免不當處理廢棄抽油煙機所帶來的環保問題及危害人體健康。
- 抽油煙機及其隨機文件上的標誌，說明本產品不能視作一般家居廢物處理，用戶必須根據本地的環保條例，棄置於電器及電子產品的回收站。
- 欲知更多有關廢物收集制度的資料，可向當地的有關部門或零售店查詢。



安裝說明

安裝

如使用電爐，抽油煙機應距離爐面至少 50 厘米，如屬氣體爐具或混合式爐具，則爐頭與抽油煙機之間需至少相距 65 厘米。

倘上述距離有別於爐具生產商的建議，以較遠者為準。

連接電源

供電規格須符合機內標籤所顯示的額定值。如油煙機備有插頭，請將它接上就近合規格的插座。如果沒有配備插頭（直接的電源連接），或插頭不在一個安裝後易於接近的地方，請按照安裝說明使用一個合規格的雙極掣以控制電源開關。

警告：

- 開機前，務須確定電線已安裝妥當，並檢查電源線已正確接駁至油煙機。
- 油煙機配備了一條專用的電源線；如果該電源線損壞，請聯絡客戶服務更換新的電線。

裝嵌

安裝前：

- 檢查安裝本抽油煙機的位置是否合適。
- 如隨機附有活性炭過濾裝置(參考相關段落)，需將其拆除。活性炭過濾裝置只適用於過濾模式。
- 檢查(搬運時)機內是否有其他配件(如螺絲包(*)，維修保養書(*)等)，如機內有這些配件，取出並保存好。
- 如可以，先移離在抽油煙機安裝位置下的煮食爐具，以便進行安裝工作。否則可放置一個帶保護作用的厚墊蓋在爐面，以免爐具受損及砂塵破壞。當裝嵌配件時，先在工作枱

面放上保護墊，然後把抽油煙機組件放置其上。

- 重新檢查裝機的位置是否有可用的電源插座；而排煙裝置可把油煙排到室外（只適用於排煙模式）。
- 進行所有必要工作（如安裝電源位、或裝置排氣喉的開孔位）。

本機供櫥櫃內置式安裝或以支承架裝嵌。

使用

本油煙機設定為排氣模式，如選擇安裝為過濾模式(活性炭過濾裝置需另外購買)。



排氣模式

在此安裝模式，煙氣透過油煙機頂部的排氣口經排氣管送到室外。排氣管的直徑須與排氣接口一致。

水平安裝管道應微斜向上（約 10°）以便將煙氣排出室外。

- ! 按需要設計排氣管長度。
- ! 避免使用過量彎曲位（最大彎曲角度：90°）。
- ! 避免喉管摺曲變形。
- ! 使用平滑的喉管較佳。
- ! 使用合規格的排氣管作安裝。

注意：

- 安裝所需排氣管及配件須另行購買。
- 如果油煙機配備了活性炭過濾裝置，需將其拆除。

安裝說明及操作指示



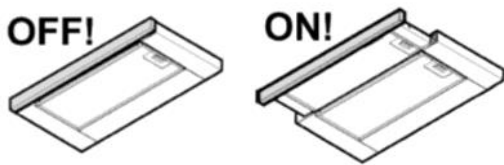
過濾模式

此模式需要一個活性炭過濾油煙，活性炭可向市面零售商購買。活性炭把濾走油脂和氣味的空氣經頂部的排氣口送回室內。

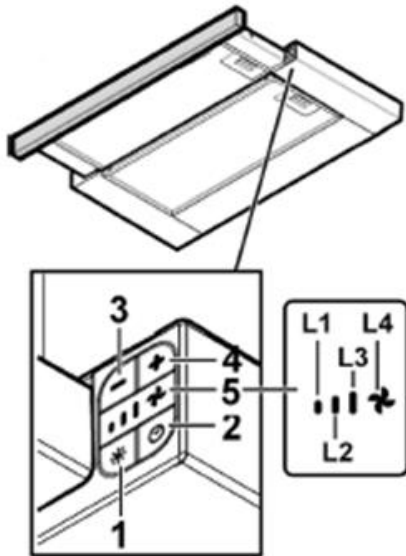
注意：如隨機沒有活性炭濾網，須另行購買。

操作

抽油煙機的控制板設有風速選擇掣及燈掣。



控制板



1 照明 開 / 關 按鍵

2 運作時間 開 / 關 按鍵：

各級風速延時關機運作時間如下：

第一級風速：20 分鐘

第二級風速：15 分鐘

第三級風速：10 分鐘

最高風速：5 分鐘

3 關 / 風量減速按鍵

4 開 / 風量增速按鍵

5 顯示燈：

- 風速：LED 燈 L1 - L2 - L3 - L4 (閃動) 顯示燈亮著，表示抽油煙機正以所選的風速級別運作。
註：L4 LED 燈 - 最高風速，運作 5 分鐘後，風速會自動降至第二級。
- 計時：所選的風速顯示燈閃動時，表示延時關機已啟動。
- 濾油網飽和提示：L3 和 L4 顯示燈交替閃動一段短時間。
- 活性炭裝置飽和提示 L3 和 L4 顯示燈同時閃動一段短時間。

重設濾油網飽和提示

清洗濾網後，按鍵 2 直至所有顯示燈熄掉。

注意：一般情況，活性炭飽和提示為未被啟動。於採用過濾模式運作時（已安裝活性炭過濾裝置）才能啟動活性炭飽和提示。

依循下列步驟可啟動提示。

1. 關閉抽油煙機

2. 同時長按鍵 3 和鍵 4，至 L1 顯示燈變為短暫閃動。

要取消此項提示，重覆以上步驟直至 L1 顯示燈短暫閃動。

如廚房有大量油煙，應選擇以最高風速運作。建議在煮食前 5 分鐘啟動抽油煙機，並讓其一直運作至完成煮食後的 15 分鐘。

保養

注意：

- 進行任何保養工作前，務須切斷電源。
- 若使用插頭連接電源，須將插頭從插座拔除。

清潔

必須定期清潔整部抽油煙機(應與清洗濾油網的次數相同)。清洗時可用蘸有性質溫和清潔劑的布清洗，但不應使用具磨砂作用的清潔劑。切勿使用酒精！

警告：若不遵守本說明書建議清潔抽煙機和更換過濾裝置的提示，可能會引致火災風險。

因此，我們建議您遵守這些說明。對於因不當維護或不遵守上述安全提示而引起的任何電機損壞或任何火災損害，本公司不會承擔任何責任。

濾油網 (圖10 - 20)

阻隔烹飪所產生的油脂。

濾油網必須每月使用性質溫和清潔劑清洗一次。除手洗外，可使用洗碗碟機洗滌，但應選用低溫和短促的清洗程序。濾油網經洗碗機清洗後會稍微褪色，但這不會影響其過濾功能。

要拆除濾油網，只要拉開彈簧鎖扣即可濾油網拆出。

活性炭過濾裝置 (只適用於過濾模式，圖19)

用以吸收烹飪時產生的異味。活性炭達到飽和使用時間，取決於烹飪類型和濾油網的清潔次數。

在任何情況下都必須至少每四個月更換一次活性炭過濾裝置。活性炭濾隔不可清洗或反覆使用。

安裝活性炭過濾裝置：

1. 先拆下濾油網。
2. 在風機兩側框架放置一個活性炭濾隔。
3. 裝回濾油網。

更換燈泡

更換前必須先切斷油煙機的電源。

本機使用 LED 燈作照明。除提供足夠照明，LED 燈較一般照明燈的使用時間長 10 倍，且能節省 90% 電能。

如需更換，聯絡維修服務。

Mia Cucina
KITCHENS BY TOWNGAS