

Mia Cucina



KITCHENS BY **TOWNGAS**

User Manual

Built-in Gas Cooking Hob MY41C

Dear Customer

Thank you for choosing Mia Cucina products. These meticulously designed products, manufactured with the highest quality materials, have been carefully tested to satisfy all your cooking needs. Please read and follow the following instructions that ensure correct operation and optimal performance.

Contents

| | |
|-------------------------------|------|
| Important Safety Instructions | P. 1 |
| Installation Instructions | P. 3 |
| Operating Instructions | P. 4 |
| Maintenance | P. 6 |
| Troubleshooting | P. 7 |
| Specifications | P. 8 |

Attention!

According to the Gas Safety Ordinance of Hong Kong, any gas installation works including the installation of appliances and connection tubing, must be undertaken by registered gas installers who are registered for those appropriate classes and be employed by registered gas contractor.

Important Safety Instructions

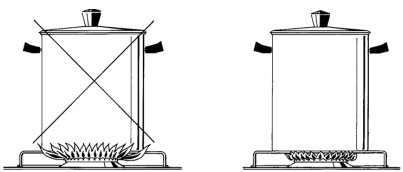
The following instructions are very important to safe operation of gas appliance. Please read through them carefully. For enquiry and services, please contact Towngas 24-hour premium service hotline on 2232 1232.

Installation

1. Use approved gas tubing bearing EMSD approval marking (such as: 機電工程署批准EMSD APPROVAL GTXXXX) for connection to appliance or other appropriate methods accepted by EMSD.
2. Fix gas governor, ELITRE EL-125 and ensure the pressure setting is 1.0kPa.
3. Do not store any combustible materials, e.g. paper and plastic, under or near to the appliance. The appliance should be installed with a distance of more than 150mm away from combustible materials.
4. Install the appliance in a well-ventilated room.

Operation

1. In case of suspected gas leak, open windows and shut off gas meter valve. Do not operate any electric appliances or switches. Do not use any phones on site. Contact Towngas Emergency Hotline on 2880 6999 with a phone outside the premises.
2. Please use the appliance properly according to the operating instructions.
3. This appliance is designed for domestic use only. Do not use it for commercial purposes.
4. Do not use the appliance for any purposes other than cooking, e.g. drying clothes.
5. Open windows and turn on ventilation system before operating the appliance.
6. Do not allow kids to use appliance.
7. Do not leave operating appliance unattended.
8. Do not add aluminum discs to burner. This will incur combustion problem.
9. Ensure that burner cap and burner body are not deformed. Contact Towngas Company to replace the parts if abnormality is found.
10. Before use, ensure the burner cap, burner body and pan support are in correct position and are not tilted.
11. Ensure that flame holes of burner are free from water and dirt.
12. Do not put weight exceeding 10kg on pan support.
13. Pan support is heavy. Do not drop it.
14. Make sure that flame condition is uniform during operation.
15. Heed high temperature of top plate, burner and pan support.
16. Do not use flat bottom pot with too large diameter to avoid the risk of scald by high temperature and reduce the service life of the appliance.

| | | |
|---|---------------|--|
|  | Burner | Maximum Diameter of Utensils (mm) |
| | Wok Burner | 300 |

17. When using small utensil, reduce flame power that flame does not escape from utensil bottom.
18. Ensure stability of utensil resting on pan support. Hold utensil firmly if it slips easily.

Important Safety Instructions

19. Do not fill water including soup ingredients over two-thirds of utensil volume when boiling water or soup. Spilled liquid of boiling will affect combustion and damage the appliance.
20. Always use pots with a cover and make sure that the handles of the pots are correctly positioned to avoid heating and collision of handles.
21. Do not use sprays near the appliance.
22. Knob should be turned to off position after use.
23. Clean the burner after spillage of food and liquid to avoid blockage of burner flame holes once the appliance cools down.
24. If abnormal noise is observed, turn off flame. Check and place the burner cap and burner body correctly after appliance cools down. Contact Towngas Company if problem persists.
25. The top panel of this cooker is made of ceramic glass which is safer than normal glass for this application. However, the following safety precautions should be noted in order to prevent the glass top panel from breaking:
 - Clean the burner frequently to maintain a clear gas passage of flame holes. Clean and tidy up the burner after spillage of food and liquid once the appliance cools down.
 - Do not scratch or impact the glass surface with hard objects, place heavy objects or place cooking utensils on the glass surface.

Maintenance

1. Check condition of gas hose regularly. Ensure that it is free from kink or crack. Contact Towngas Company to replace it if damage is found.
2. Allow the appliance to cool down completely before cleaning.
3. Wear glove to protect the hands from cut injury when cleaning the appliance. Do not touch any internal parts of the appliance.
4. Dry burner cap and burner body completely with dry cloth after washing. Flame holes of burner must be free from water lest combustion is affected.
5. Before and after use, notice the condition and cleanliness of burner. The following abnormal conditions will incur abnormal combustion and thus damage of the appliance. Ensure undertaking measures to rectify the problem accordingly.

| Abnormal Condition | Handling Measure |
|---|---|
| Burner cap and burner body are deformed | Contact Towngas Company to replace the parts. |
| Burner cap and burner body are tilted | Replace burner cap and burner body properly. Burner cap and burner body must not be tilted. |
| Burner flame holes are blocked by water | Dry burner cap and burner body with cloth and replace them properly. |
| Burner flame holes are blocked by dirt | Clean burner cap and burner body with mild detergent and brush. Dry with cloth and replace them properly. |

Installation Instructions

Before Installation

Take care when unpacking appliance. Make sure that the appliance and accessories are not damaged. In case of doubt, do not install or use the appliance and contact Towngas Company. Keep all the packing materials (e.g. polystyrene foam, bags, cardboard, staples) away from children to avoid danger.

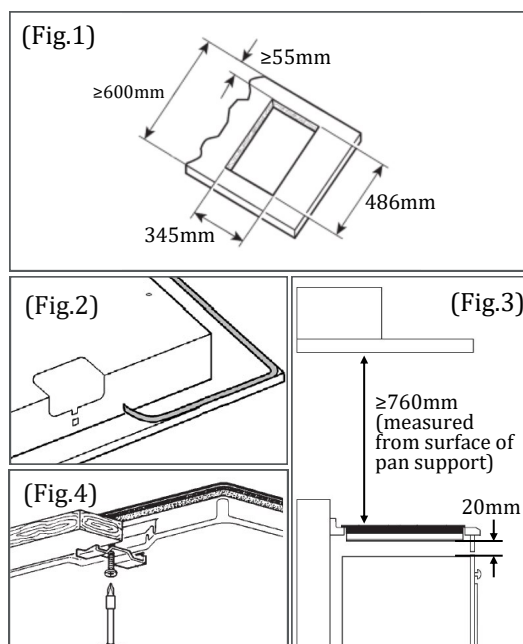
Installation Position

Install the appliance in a well-ventilated room, but do not install at the position of strong wind. Keep it away from any flammable objects (such as paper, oil), combustible, sprays or pressurized containers. The appliance should be installed with a distance of more than 150mm away from surrounding combustible materials. Allow 760mm or more clearance above appliance. Install a range-hood at a distance of not less than 760mm from the surface of pan support of appliance. If the range-hood requires a different installation distance, adopt the larger value. The combustion products of appliance shall be evacuated by means of range-hood.

Reserve cut hole on bench-top according to Fig.1. Depth of bench-top should be 600mm or more. Sealing gasket should be affixed around the entire periphery of top plate bottom of appliance (Fig.2). Keep clearance from the surrounding objects according to Fig.3. The appliance should be fixed to the bench-top by mounting brackets (Fig.4).

If another appliance (e.g. dishwasher, washer) is to be installed under the gas appliance, keep a clearance of at least 20mm from the bottom of the appliance. If the installation instructions of the appliance underneath requires a different distance, adopt the larger value (Fig.3).

If an air-flow generating appliance or device (such as built-in oven, clothes dryer) is to be installed under the built-in gas appliance, a partition shelf must be added and sealed with silicone gel. This prevents air draught affecting the appliance operation.



Gas connection

Connect the gas appliance to the gas supply according to the prescribed standards in force, and ensure that the appliance matches with the type of gas supply. Furthermore, check that the supply pressure is 1.5 kPa and fix the gas governor with the pressure setting of 1.0kPa.

Attention: The gas connection of the appliance is $\frac{1}{2}$ " B.S.P male thread. Use approved gas tubing for connecting to appliance. Flexible tubing must not be longer than 2000 mm. Tubing shall not touch any moving parts, be kinked or be compressed. After connection, check gas soundness of piping. Never use naked flame for checking.

Electrical connection

Power supply connection must be undertaken by qualified person. Prior to carrying out the electrical connection, please ensure that:

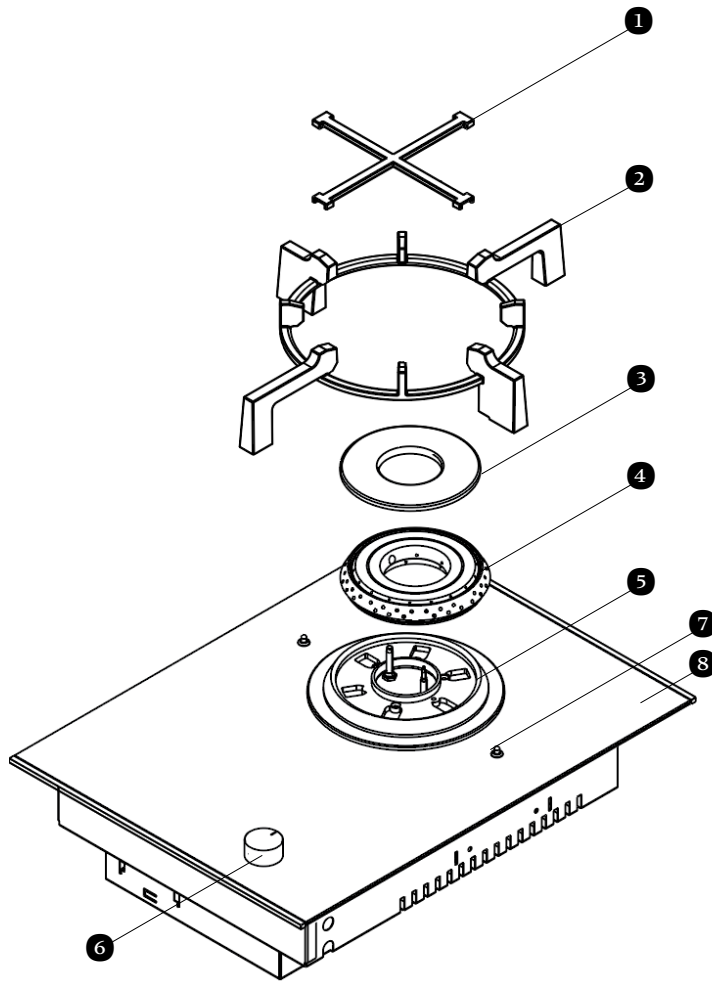
- The power supply follows what is indicated on the badge label of appliance;
- The power supply system provides effective earth connection, following the standards and law provisions in force. The earth connection is compulsory according to the law.

The power supply point should be a 13A socket in compliance with BS 1363. It should be easily accessible. Connect the power cable of appliance with 13A plug in compliance with BS 1363. Insert power plug and turn on power. If the power cable is damaged, contact Towngas Company to rectify it.

Operating Instructions

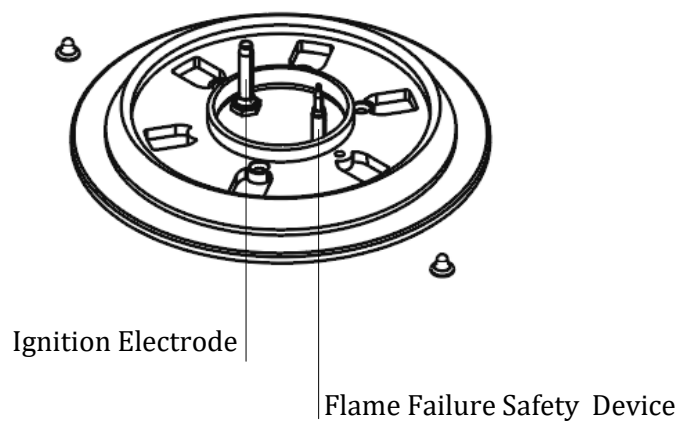
Appliances Descriptions

- MY41C



Wok Burner

- ① Pan Adaptor
- ② Pan Support
- ③ Burner Cap
- ④ Burner Body
- ⑤ Burner Base
- ⑥ Rotary Knob
- ⑦ Pan Support Bolts
- ⑧ Ceramic Glass Top Plate



Operating Instructions

Attention: When the appliance has been operated for 30 minutes, the glass top plate and rotary knob of the appliance might become hot due to the heat from flame. In case of needs for using the rotary knob, please use a moisten towel to cool down before usage.

Ignition of Burner

Press and turn the knob in anti-clockwise direction to ignition position. Keep pressing the knob for 5 seconds. Electric sparks from ignition electrode ignite the burner. After releasing the knob, make sure the flame persists.

Attention: If the appliance has not been used for a long time, the first ignition may not succeed due to the trapped air in the gas pipe. If the burner fails to ignite, turn the knob to off position. Wait for a while, repeat the above ignition procedures until success of burner ignition. Do not keep the pressing the knob over 15 seconds.

Flame Control

After ignition, turn the rotary knob to adjust flame power according to cooking needs. Minimum flame power is located at the end of anti-clockwise direction.

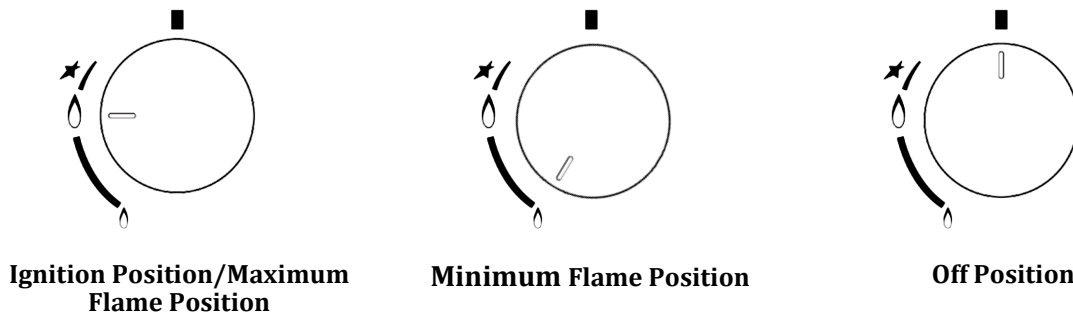
Attention: When operating at low flame, do not open underneath cabinet door rapidly; otherwise flame may be extinguished by air draught.

Flame Extinguishing

Turn the rotary knob to the off position.

Attention: Pop sound might be generated during flame extinguishing due to the instant combustion of gas remained in burner. This is a normal phenomenon.

Indications of MY41C Rotary Knob



Maintenance

Attention: Allow the appliance to cool down before performing any maintenance and cleaning. Turn off the power supply and the appliance gas supply valve. Wear gloves to protect the hands while cleaning.

To maintain the appliance properly, follow the below instructions to clean it regularly:

General

- Do not use steam cleaners for cleaning;
- Avoid leaving acidic or alkaline substances on the appliance (vinegar, brine, lemon juice, etc);
- Clean and tidy up the burner after spillage of food and liquid once it cools down;
- Regularly check the flame failure safety device and ignition electrode. If stains get stuck at the devices, clean them with soft brush;
- Do not touch any internal parts of the appliance;
- Check the condition of gas tubing regularly. If damage is observed, contact Towngas Company for replacement.

Cleaning Appliance

- Burner cap and body must be washed frequently with warm water and detergent, taking care to remove any grime and keep the flame holes of burner away from blockage;
- Dry the burner cap and body completely after wash and check all flame holes of burner are not clogged;
- Refix the burner cap and body at correct position. Ensure that they are not tilted or reversed;
- Any spilled food or liquid during cooking must always be removed by a dry rag.

Troubleshooting

Attention: Before restarting ignition, return the rotary knob to off position.

If abnormality or fault is observed, turn off flame. Ensure that the appliance cools down completely before undertaking remedial measures. If not effective after undertaking the following remedial actions, please contact Towngas 24-hour premium service hotline on 2232 1232 for services.

| Fault | Cause | Remedy |
|---------------------------------------|---|--|
| 1. No ignition or flame | Power supply is turned off. | Turn on the power supply. |
| | Gas meter valve and/or appliance gas supply valve is turned off. | Open gas meter valve and/or appliance gas supply valve completely. |
| | Air is trapped inside gas pipe. | Repeat ignition until trapped air is removed. |
| | Burner is blocked by aluminum disc. | Remove aluminum disc. |
| 2. Flame does not persist | Ignition electrode is dirty or wet. | Clean and dry ignition electrode. |
| | Flame failure safety device is dirty. | Clean flame failure safety device. |
| | The knob is not fully pressed or not turned to the ignition position. | Fully press and turn the knob to the ignition position. |
| | Holding time of knob is too short. | Keep pressing the knob for 5 seconds. |
| 3. Flame off when using | Flame failure safety device is dirty. | Clean flame failure safety device. |
| | Small flame is blown off by wind. This activates the flame failure safety device. | Wait for a while and restart ignition. |
| 4. Yellow flame | Burner cap and burner body have dirt. | Wash burner cap and burner body in warm water with detergent. Dry and replace them at correct position. Restart ignition . |
| 5. Unstable flame | Deformation of burner cap and burner body. | Contact Towngas Company to replace the parts. |
| | Incorrect placement of burner cap and burner body. | Replace burner cap and burner body correctly after appliance cools down and restart ignition. |
| 6. Abnormal noise when using | Incorrect placement of burner cap and burner body. | Replace burner cap and burner body correctly after appliance cools down and restart ignition. |
| 7. Pop sound when flame extinguishing | Instant combustion of gas remained in burner. | Normal phenomenon. |

Specifications

| | | | |
|-----------------------|---------------------------------------|--------------------------|--------------------------|
| Model | | MY41C | |
| Basic Specification | Appliance Type | | Gas Cooking Hob |
| | Installation Type | | Built-in Type |
| | Appliance Dimensions - H x W x D (mm) | Base Tray to Bench Top | 130 x 380 x 520 |
| | | Base Tray to Top Plate | 137 x 380 x 520 |
| | | Base Tray to Pan Support | 205 x 380 x 520 |
| | Top Plate Material | | Ceramic Glass |
| | Top Plate Thickness (mm) | | 4.0 |
| | Top Plate Dimensions - W x D (mm) | | 380 x 520 |
| | Cut-out Dimensions - W x D (mm) | | 345 x 486 |
| | Weight (kg) | | 13 |
| | Gas Type | | Hong Kong Town Gas |
| | Gas Supply Pressure (kPa) | | 1.5 |
| | Governor Outlet Pressure (kPa) | | 1.0 |
| | Gas Connection | | ½ B.S.P (Male) |
| | Power Supply Connection | | 220-240V (50Hz) |
| | Ignition Type | | Automatic Spark Ignition |
| | Number of Burner | | 1 |
| | Rated Heat Input (kW) | Wok Burner | 8.1 |
| | | Rear Burner | / |
| | | Front Burner | / |
| Power Consumption (W) | | 0.6 | |
| Safety Device | Flame Failure Safety Device | Thermocouple Type | |
| Functions | Cooking Timer (All burners) | / | |
| | Minute Reminder | / | |

The appliance complies with Hong Kong Electrical Products (Safety) Regulation.

使用說明書

嵌入式氣體煮食爐

MY41C

尊敬的客戶

多謝選用 Mia Cucina 的產品，本產品經精心設計，採用優質材料生產以及通過嚴謹測試，定能滿足您的烹飪需要。為確保正確使用及維持最佳效能，請細閱及遵循以下說明。

目錄

| | |
|--------|-------|
| 重要安全指示 | 第 1 頁 |
| 安裝指示 | 第 3 頁 |
| 操作指示 | 第 4 頁 |
| 保養 | 第 6 頁 |
| 故障處理 | 第 7 頁 |
| 技術規格 | 第 8 頁 |

注意!

根據香港氣體安全條例，任何氣體裝置工程，包括爐具和接駁喉管的安裝，必須由註冊氣體裝置技工執行，而該技工已於相關的氣體工程類別註冊及受聘於註冊氣體工程承辦商。

重要安全指示

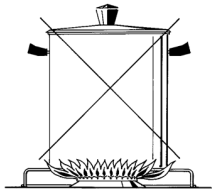
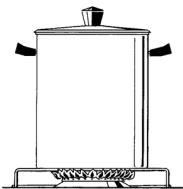
以下指示對氣體爐具的安全操作十分重要，請詳細閱讀。如有查詢或需要維修服務，請聯絡煤氣公司 24小時尊貴客戶服務熱線 2232 1232。

安裝

1. 使用認可印有機電工程署批准標記（例如：機電工程署批准EMSD APPROVAL GTXXXX）的氣體喉管連接爐具，或使用機電工程署接納的其它恰當方法。
2. 安裝穩壓器，ELITRE EL-125，並確定壓力設定為1.0千帕。
3. 爐具周圍或下方不可訪置可燃物品，如紙張及塑膠等。與可燃物料距離須保留150毫米以上。
4. 爐具須安裝在空氣流通之房間內。

使用

1. 當懷疑洩漏氣體時，將窗戶打開，以及關閉煤氣錶閥。切勿操作任何電器或電掣開關。切勿在現場使用任何電話。在現場以外的地方，致電煤氣公司緊急事故熱線，電話：2880 6999。
2. 請參照說明書內指引正確使用爐具。
3. 爐具只供家用，切勿用於商業用途。
4. 除煮食外，切勿使用爐具作其他用途，例如烘乾衣物。
5. 使用爐具前，請開啟窗戶及排氣系統。
6. 不可讓兒童使用爐具。
7. 切勿讓爐具在無人看管下運作。
8. 切勿在爐頭加上錫紙碟，這會引致燃燒問題。
9. 請確保爐頭蓋及爐頭身沒有變形，如有異常，請聯絡煤氣公司安排更換。
10. 使用前，確保爐頭蓋、爐頭身和爐架擺放正確，沒有傾斜。
11. 請確保爐頭火孔沒有被水或污漬堵塞。
12. 切勿放置超過10公斤的重量在爐架上。
13. 爐架很重，切勿掉下。
14. 請確保使用時火焰平均。
15. 注意爐面、爐頭及爐架的高溫。
16. 切勿使用直徑過大的平底煮食器皿，避免溫度過高而造成燙傷及影響爐具的使用壽命。

| | | | |
|---|---|------|-------------|
|  |  | 爐頭 | 最大鍋具直徑 (毫米) |
| | | 炒鑊爐頭 | 300 |

17. 使用細小器皿時，請將火力調低，避免火焰超出煮食器皿底部。
18. 請確保器皿穩定地放在爐架上，如器皿容易滑動，必須緊握它。

19. 燒開水或煮湯時，注入的水量連湯料不可超過器皿容量三分之二，溢出液體會影響燃燒和損壞爐

重要安全指示

具。

20. 烹調時，請儘量蓋上鍋具。而鍋具的手柄亦應轉向適當位置，避免受熱或碰撞。
21. 請勿在爐具附近使用噴霧產品。
22. 使用後，應將所有旋鈕設於關閉位置。
23. 如滾瀉食物及汁液，應在爐具冷卻後儘快清理爐頭，避免爐頭火孔堵塞。
24. 如爐具出現異常聲響，應先關火。在爐具完全冷卻後，檢查並放好爐頭蓋及爐頭身，並重新點火。若問題持續，聯絡煤氣公司進行檢查。
25. 此爐具的面板為陶瓷玻璃製造，較一般玻璃安全，但仍須注意以下事項，避免玻璃面板爆裂：
 - 經常清潔爐頭以保持火孔暢通，如滾瀉食物及汁液，應在爐具冷卻後儘快清潔爐頭。
 - 切勿以硬物刮傷或撞擊玻璃面板、將重物放置於玻璃面板或將器皿放置於玻璃面板上。

保養

- 1 定期檢查氣體喉管狀況，確保沒有扭結或裂縫，若發現損壞，請聯絡煤氣公司更換喉管。
- 2 讓爐具完全冷卻後，才可進行清潔。
- 3 進行清潔時，應穿上保護手套避免割傷。避免接觸爐具的內部位置。
- 4 清洗爐頭蓋及爐頭身後，用乾布將爐頭蓋完全抹乾，爐頭火孔不可留有水份，以免影響燃燒。
- 5 使用前和使用後，注意爐頭的狀況和清潔。以下不正常狀況會產生燃燒不良，進而引致爐具損壞。請確保採取相應措施，糾正有關問題。

| 不正常情況 | 處理措施 |
|-----------|--------------------------------|
| 爐頭蓋及爐頭身變形 | 聯絡煤氣公司更換零件。 |
| 爐頭蓋及爐頭身傾斜 | 將爐頭蓋及爐頭身重新放好，不可傾斜。 |
| 爐頭火孔被水堵塞 | 用布將爐頭蓋及爐頭身抹乾後，重新放好。 |
| 爐頭火孔被污積堵塞 | 用溫和清潔劑和刷子清潔爐頭蓋及爐頭身，用布抹乾後，重新放好。 |

安裝指示

安裝前

拆除包裝時，應小心處理，並確定爐具及配件沒有損壞。如發現問題，請勿安裝或使用爐具及與煤氣公司聯絡。請將所有包裝物料（如發泡膠、膠袋、紙板及固定釘）放置於兒童不能觸及的地方，以免造成危險。

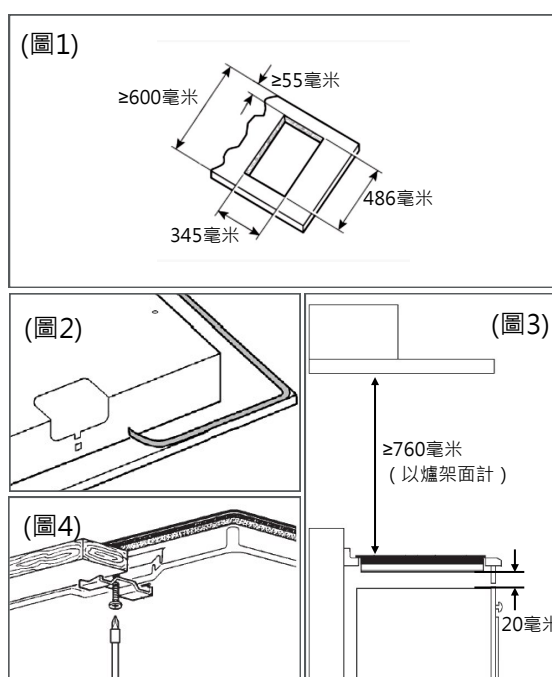
安裝位置

爐具須安裝在空氣流通之房間內，但切勿置於強風直接吹入的位置。附近不可放置易燃物料（如紙張、油類）、可燃物料、噴霧及壓縮容器。爐具與周圍可燃物料應保持150毫米以上的距離。爐具上方須保留最少760毫米空間。安裝於爐具上方的抽油煙機，必須與爐架面保留最少760毫米的距離。如抽油煙機要求不同的安裝距離，則採用較大間距。爐具於煮食時的煙氣應經由抽油煙機排走。

依照圖1在枱面預留開孔，枱面深度不少於600毫米，請於面板底部整個邊緣貼上密封膠條（圖2）。安裝時，請確保爐具依照圖3所示，與附近的物件保留相應距離。放置爐具於枱面的開孔後，須安裝固定碼（圖4）以固定爐具於枱面上。

若在嵌入式氣體爐具下安裝其他器具（如洗碗碟機、洗衣機）。請保留最少20毫米的距離。若下方器具的安裝指引要求不同的間距，應採用較大者（圖3）。

若在嵌入式氣體爐具下方設有會產生氣流的爐具或設備（例如：焗爐、乾衣機），必須加裝隔層板並以矽膠密封所有縫隙，避免氣流影響爐具運作。



氣體接駁

根據現行指定的標準，將氣體爐具連接供氣設施上，接駁前確保爐具符合所供應之氣體類型。此外，檢查供氣壓力是否在1.5千帕，並安裝壓力設定為1.0千帕的穩壓器。

注意：爐具的氣體接頭為 $\frac{1}{2}$ 吋英制陽螺紋，使用已批准的氣體喉管接駁爐具。氣體軟喉長度不可超過2000毫米。確保喉管沒有接觸任何活動部件、被扭曲或被擠壓。接駁完成後，檢查喉管的氣密性。切勿使用明火作檢查。

電源接駁

電源接駁必須由合資格人員執行。進行電源接駁前，請確保：

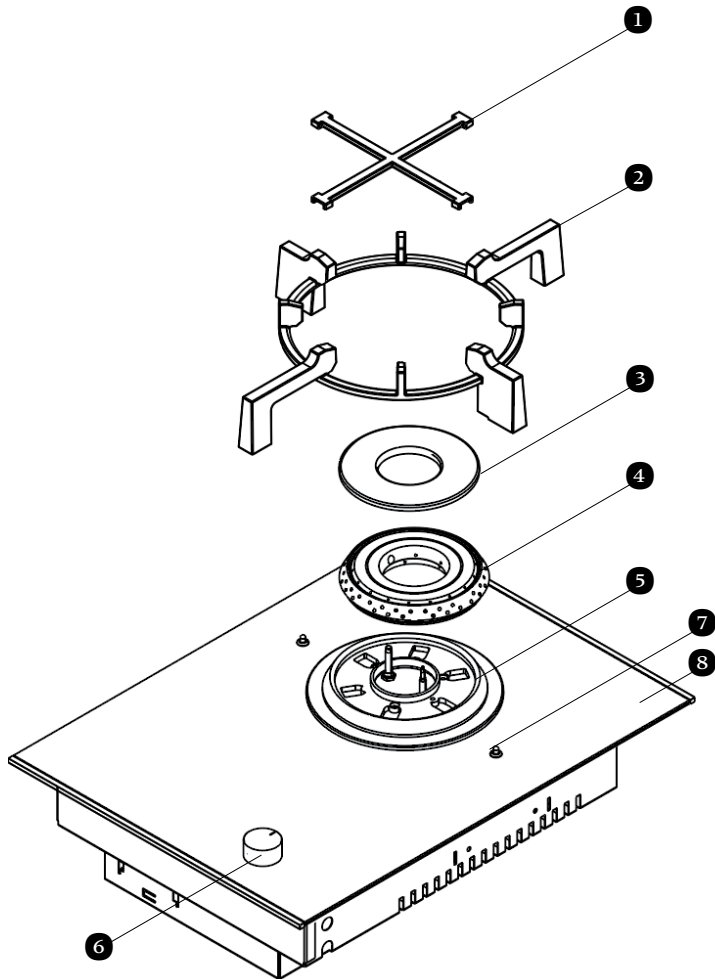
- 供電電壓必須符合爐具規格銘牌上的要求；
- 供電系統必須配有有效的地線連接，並符合現行標準及法規。地線連接屬法例強制性要求。

供電插座須符合 BS 1363 的 13 安培插座，並設於容易觸及的位置。爐具電源線須連接符合 BS 1363 的 13 安培插頭。插入插頭，開啟電源。如電源線受損，聯絡煤氣公司進行維修。

操作指示

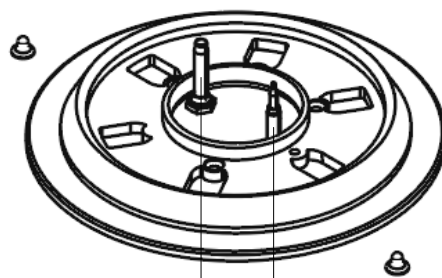
爐具介紹

• MY41C



炒鑊爐頭

- ❶ 爐架適配件
- ❷ 爐架
- ❸ 爐頭蓋
- ❹ 爐頭身
- ❺ 爐頭座
- ❻ 旋鈕
- ❼ 爐架固定栓
- ❽ 陶瓷玻璃面板



點火電極

熄火安全裝置

操作指示

注意：於爐具運作約 30 分鐘後，爐具玻璃面及旋鈕部分有機會因爐火熱力而變熱。如需使用旋鈕部分，以濕布降溫後才使用。

點燃爐頭

按下旋鈕同時以逆時針方向轉動旋鈕至點火位置，並維持按下旋鈕5秒。點火電極會發出火花點着爐頭。放開旋鈕後，確定火焰維持。

注意：如爐具長時間未有使用，於首次點燃時有機會因喉管內含有空氣而未能令爐頭點燃成功。如爐頭未能燃點，將旋鈕轉至關閉位置。等待一會兒，重複上述火的步驟至成功點火。請勿維持按下旋鈕超過15秒。

火力調節

爐頭點燃後，可按烹調所需轉動旋鈕調節火力。最小火力位置在逆時針旋轉方向的盡頭。

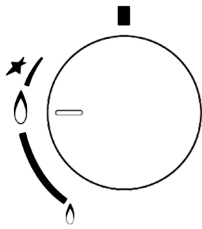
注意：使用小火時，不應急速打開爐具下方的廚櫃門，以免氣流弄熄爐火。

關閉爐頭

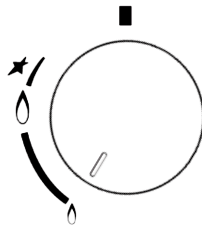
將旋鈕轉動至關閉位置。

注意：熄火時有機會因殘留在爐頭內的氣體瞬間燃燒而出現響聲，此屬正常現象。

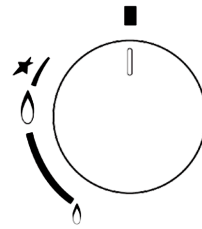
MY41C 旋鈕標示



點火位置 / 最大火力位置



最小火力位置



關閉位置

保養

注意：待爐具完全冷卻後，必須將爐具的電源及爐具供氣閥關閉，才可進行任何保養及清潔。清潔時，亦應配戴手套保護雙手。

為妥善保養爐具，遵照以下指示定期清潔爐具：

一般

- 請勿使用蒸氣清潔爐具；
- 避免酸性或鹼性物質（如醋、鹽水、檸檬汁等）殘留在爐具；
- 煮食時如有液體溢出，應待爐頭冷卻後儘快清理；
- 定期檢查熄火安全裝置及點火電極，如有污物黏附，可使用軟刷將污物去除；
- 不應接觸爐具內部零件；
- 經常檢查氣體喉管情況，如發現有損壞，請致電煤氣公司更換。

清潔爐具

- 定期使用暖水及清潔劑清洗爐頭蓋及爐頭身，將污漬去除，並保持爐頭火孔暢通；
- 清潔後須完全抹乾爐頭蓋及爐頭身，並檢查爐頭火孔沒有被堵塞；
- 將爐頭蓋及爐頭身放回正確位置，不可傾斜或反轉；
- 煮食時滾瀉的食物或液體，必須以乾布清潔。

故障處理

注意：於重新點火前，請將旋鈕轉回關閉位置。

如爐具出現異常或故障，應先關火。請先確保爐具完全冷卻後，才進行任何故障處理。如採取以下處理方法後仍然無效，請致電煤氣公司 24小時尊貴客戶服務熱線 2232 1232 安排維修。

| 故障 | 原因 | 處理方法 |
|-------------|---------------------|-------------------------------|
| 1. 沒有點火或爐火 | 電源關閉。 | 開啟電源。 |
| | 仍未開啟煤氣錶閥及 / 或爐具供氣閥。 | 完全開啟煤氣錶閥及 / 或爐具供氣閥。 |
| | 喉管內含有空氣。 | 重複點火至喉管內空氣完全排出。 |
| | 錫紙碟阻塞爐頭。 | 除去錫紙碟。 |
| 2. 不能保持爐火 | 點火電極上有污垢或沾濕。 | 清理及抹乾點火電極。 |
| | 熄火安全裝置上有污垢。 | 清理熄火安全裝置。 |
| | 未按盡旋鈕或旋鈕沒有轉至點火位置。 | 按下旋鈕及轉至點火位置。 |
| | 按下旋鈕的時間過短。 | 維持按下旋鈕5秒。 |
| 3. 使用中熄火 | 熄火安全裝置上有污垢。 | 清理熄火安全裝置。 |
| | 小火被風吹熄，並啟動了熄火安全裝置。 | 等待一會兒，並重新點火。 |
| 4. 黃火 | 爐頭蓋及爐頭身有污垢。 | 使用暖水及清潔劑清洗爐頭蓋及爐頭身。抹乾後放好，重新點火。 |
| 5. 火焰不穩定 | 爐頭蓋及爐頭身變形。 | 聯繫煤氣公司客戶服務熱線更換零件。 |
| | 爐頭蓋及爐頭身擺放不正確。 | 待爐具冷卻後，重新放好爐頭蓋及爐頭身，並重新點火。 |
| 6. 使用中出現異常聲 | 爐頭蓋及爐頭身擺放不正確。 | 待爐具冷卻後，重新放好爐頭蓋及爐頭身，並重新點火。 |
| 7. 關火時出現響聲 | 殘留在爐頭內的氣體瞬間燃燒。 | 正常現象。 |

技術規格

| | | | |
|---------|-----------------------------|--------|-------------------|
| 型號 | | MY41C | |
| 基本規格 | 爐具類別 | | 氣體煮食爐 |
| | 安裝方式 | | 嵌入式 |
| | 爐具尺寸 - 高 x 闊 x 深 (毫米) | 底盤至廚檯面 | 130 x 380 x 520 |
| | | 底盤至爐面 | 137 x 380 x 520 |
| | | 底盤至爐架 | 205 x 380 x 520 |
| | 面板物料 | | 陶瓷玻璃 |
| | 面板厚度 (毫米) | | 4.0 |
| | 面板尺寸 - 闊 x 深 (毫米) | | 380 x 520 |
| | 開孔尺寸 - 闊 x 深 (毫米) | | 345 x 486 |
| | 重量 (千克) | | 13 |
| | 氣體種類 | | 香港煤氣 |
| | 供氣壓力 (千帕) | | 1.5 |
| | 穩壓器出口壓力 (千帕) | | 1.0 |
| | 氣體接駁 | | ½吋英制陽螺紋 |
| | 電源接駁 | | 220-240伏特 (50 赫茲) |
| | 點火方式 | | 自動電子點火 |
| | 爐頭數目 | | 1 |
| | 額定熱負荷 (千瓦) | 炒鑊爐頭 | 8.1 |
| 後爐頭 | | / | |
| 前爐頭 | | / | |
| 耗電量 (瓦) | | 0.6 | |
| 安全裝置 | 熄火安全裝置 | | 熱電偶式 |
| 功能 | 定時煮食 (所有爐頭) | | / |
| | 時間提示 | | / |

本爐具符合香港電氣產品 (安全) 規例。



MY41C